



SIM Technology Group.

ITEM: CRYSTAL OSCILLATOR

TYPE: DSB321SDA

NOMINAL FREQUENCY: 16.368 MHz

SPEC No. 1XTW16368CAB

Please acknowledge receipt of this specification by signing and returning a copy to us

RECEIPT	
DATE	
RECEIVED	(signature) (name)

General Manufacturer of Quartz Devices

DAISHINKU CORP.

1389 Shinzaike, Hiraoka-cho, Kakogawa, Hyogo
 675-0194 Japan
 Phone (81)79-425-3141 Fax(81)79-425-1134
http://www.kds.info/index_en.htm

C.ENG. *M. Yamashita*

ENG. *Td. Takase*

1. Device Name TCXO
2. Model Name DSB321SDA
3. Nominal Frequency 16.368 MHz
4. Mass 0.03g max.
5. Absolute Maximum Ratings

	Item	Rating	Unit
1	Supply Voltage	-0.3 ~ +6.0	V
2	Storage Temperature Range	-40 ~ +85	°C

6. Recommended Operating Conditions

	Item	min.	typ.	max.	Unit
1	Supply Voltage	+2.66	+2.8	+2.94	V
2	Load Impedance (resistance part) (parallel capacitance)	9	10	11	kΩ
		9	10	11	pF
3	Operable Temperature Range	-30	-	+85	°C

7. Electrical Characteristics

(T_A = -30 ~ +85 °C, Load=10kΩ//10pF, V_{CC}=+2.8V, unless otherwise noted)

	Item	Conditions	Limits			Unit	Notes
			min.	typ	max.		
1	Current Consumption		-	-	1.5	mA	
2	Output Level		0.8	-	-	V _{p-p}	1
3	Symmetry	GND level(DC cut)	40/60	-	60/40	%	
4	Frequency Stability 1.Tolerance	Initial Tolerance(T _A =+25°C)	-	-	±0.5	ppm	2
		After 2 times reflow(T _A =+25°C)	-	-	±1.0	ppm	3,6
	2.vs Temperature	T _A = -30 ~ +85 °C	-	-	±0.5	ppm	4
	3.vs Slope	T _A = -30 ~ +85 °C	-	-	±0.1	ppm/°C	5
	4.vs Supply Voltage	V _{CC} =+2.8V±5%	-	-	±0.1	ppm	
	5.vs Load Variation	Load=(10kΩ//10pF)±10%	-	-	±0.1	ppm	
	6.vs Aging	T _A = Room ambient	-	-	±1.0	ppm/year	
5	Short term stability	Tau=1s	-	-	1.0	ppb	
6	Start Up	@90% of final V _{out} level	-	-	2.0	ms	
7	Phase Noise	Relative to F0 level Offset 1Hz	-	-	-57	dBc/Hz	
		Relative to F0 level Offset 10Hz	-	-	-85	dBc/Hz	
		Relative to F0 level Offset 100Hz	-	-	-110	dBc/Hz	
		Relative to F0 level Offset 1kHz	-	-	-130	dBc/Hz	
		Relative to F0 level Offset 10kHz	-	-	-140	dBc/Hz	

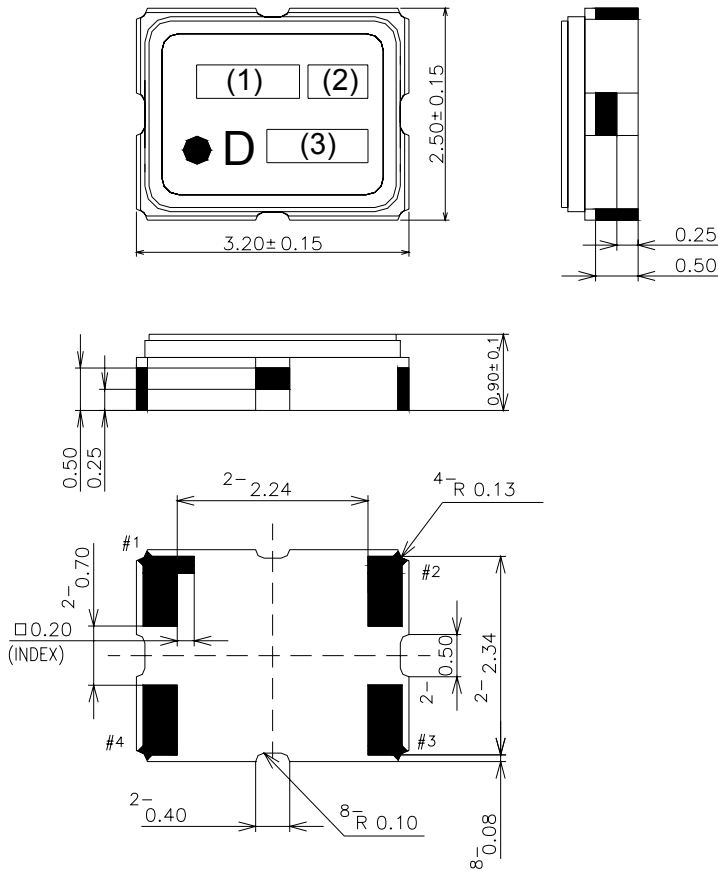
Notes

1. Clipped sine wave (DC-coupled)
2. Ref. to Nominal Frequency.
3. Please leave after reflow in 2-hour or more at room ambient.
4. Ref. to Frequency (T_A=+25 °C)
5. 1 Frequency reading for every 2°C
6. Ref. to Frequency (Before Reflow)

TITLE TCXO SPECIFICATION	Remark		
Date 2008/03/10	Spec. No. 1XTW16368CAB	Rev. -	Page 1/12

8. Outline, Pin Connections

Outline



Pin Connections

Pin No.	Connection
#1	GND
#2	GND
#3	OUTPUT
#4	Vcc

Marking

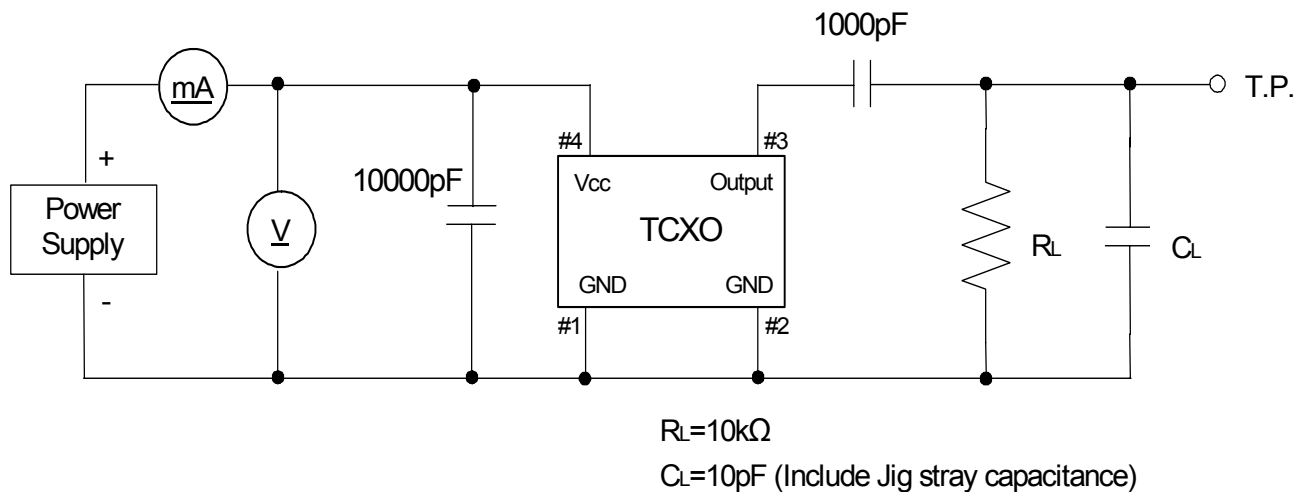
- (1) Frequency 16.36(MHz, 4digits)
- (2) Model code "T"
- (3) EIA Date code Year(1digit)+Week(2digits)
e.g. 2008/1/1 → 801

Unit:[mm]

Dimensional Tolerance: ±0.15

(Unless otherwise noted)

9. Measurement Circuit



TITLE
TCXO SPECIFICATION

Remark

Date
2008/03/10

Spec. No.
1XTW16368CAB

Rev.
-

Page
2/12

10. Mechanical Characteristics

	Test Item	Test Description	Requirements
1	Drop	Natural drop (on concrete) Mounting on the set or test fixture.(Total weight 100g) Height : 150cm Direction : X,Y,Z, 6directions Test cycle : 10cycles Reference specification : EIAJ-ED-4702A Method5	df/f=<±1.0ppm
2	Vibration	Sweep range : 10Hz→500Hz→10Hz Sweep speed : 11min./cycle Amplitude : 1.5mm(10~55Hz) Acceleration : 200m/s ² (55~500Hz) Direction : X,Y,Z, 3directions Test cycle : 10cycles Reference specification : IEC 60068-2-6	df/f=<±0.5ppm
3	Shock	Acceleration : 1000m/s ² Direction : X,Y,Z, 6directions Duration : 6ms Test cycle : 3times/each directions Reference specification : IEC 60068-2-27	df/f=<±0.5ppm
4	PCB Bend Strength	PWB : t=1.6mm Pressure speed : 1mm/sec Bend width : ±3mm Duration : 10±1s Reference specification : IEC 60068-2-21 Ue1	df/f=<±0.5ppm No visible damage.
5	Adherence nature	PWB : t=1.6mm Pressure : 10N Duration : 10±1s Direction : X,Y, 2directions Reference specification : IEC 60068-2-21 Ue3	df/f=<±0.5ppm No visible damage.
6	Package Strength	Pressure : 10N Duration : 10±1s Reference specification : IEC 60068-2-77	df/f=<±0.5ppm No mechanical damage. No leak damage.
7	Gross leak	It is immersed for 3 min into 125±5°C Chlorofluorocarbon (CFCs) liquid. Reference specification : IEC 60068-2-17	No continuous air bubbles.
8	Fine leak	It shall be measured by the helium leak detector after pressurization for 60 min by the pressure of (3.92±0.49)×10 ⁵ Pa in a helium gas atmosphere. Reference specification : IEC 60068-2-17	Less than 1.0×10 ⁻⁹ Pa m ³ /s.
9	Solderability	Solder bath method(Flow soldering) Soldering temperature : 245±5°C Duration : 3±0.3s Reference specification : IEC 60068-2-58	A new uniform coating of solder shall cover a minimum of 90% of the surface being immersed.
10	Resistance to Soldering heat	Solder iron method Bit temperature : 350±10°C Duration : 3+1/-0s /each terminal Reference specification : IEC 60068-2-58	df/f=<±0.5ppm No visible damage.
		Reflow In refer to temperature profile shown in clause 13. Test cycle : 3cycles It shall be measured after 2h at room temperature, humidity.	df/f=<±1.0ppm No visible damage.

TITLE TCXO SPECIFICATION		Remark		
Date 2008/03/10	Spec. No. 1XTW16368CAB	Rev. -	Page 3/12	

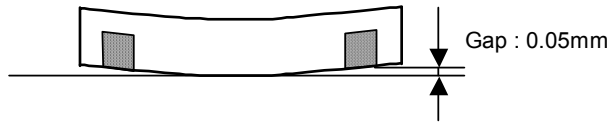
11. Environmental Characteristics

	Test Item	Test Description	Requirements
1	Cold	Temperature : $-40\pm 3^{\circ}\text{C}$ Duration : 1000h It shall be measured after 2h at room temperature, humidity. Reference specification : IEC 60068-2-1 Ab	$df/f = < \pm 1.0\text{ppm}$ $dV_{out} = < \pm 0.2\text{Vp-p}$
2	Hot	Temperature : $+85\pm 2^{\circ}\text{C}$ Duration : 1000h It shall be measured after 2h at room temperature, humidity. Reference specification : IEC 60068-2-2 Bb	$df/f = < \pm 1.0\text{ppm}$ $dV_{out} = < \pm 0.2\text{Vp-p}$
3	Humidity	Temperature : $+85\pm 2^{\circ}\text{C}$ R.H. $85\pm 5\%$ Duration : 1000h It shall be measured after 2h at room temperature, humidity. Reference specification : IEC 60068-2-3	$df/f = < \pm 1.0\text{ppm}$ $dV_{out} = < \pm 0.2\text{Vp-p}$
4	HTB	Temperature : $+85\pm 2^{\circ}\text{C}$ Duration : 1000h BIAS : Max value of supply voltage It shall be measured after 2h at room temperature, humidity. Reference specification : IEC 60068-2-2 Bb	$df/f = < \pm 1.0\text{ppm}$ $dV_{out} = < \pm 0.2\text{Vp-p}$
5	THB	Temperature : $+40\pm 2^{\circ}\text{C}$ R.H. 90~95% Duration : 1000h BIAS : Max value of supply voltage It shall be measured after 2h at room temperature, humidity. Reference specification : IEC 60068-2-3	$df/f = < \pm 1.0\text{ppm}$ $dV_{out} = < \pm 0.2\text{Vp-p}$
6	Change in Temperature (Temperature cycling)	200 cycles of Temperature: $-40\pm 3^{\circ}\text{C}:0.5\text{h} \rightarrow +85\pm 2^{\circ}\text{C}:0.5\text{h}$ It shall be measured after 2h at room temperature, humidity. Reference specification : IEC pub.68-2-14.Na	$df/f = < \pm 1.0\text{ppm}$ $dV_{out} = < \pm 0.2\text{Vp-p}$ Any cracks shall not appear.
7	ESD	Model : Machine Model(MM) $V_s = \pm 200\text{V}(C_1=200\text{pF}, R_2=0\Omega)$ Number of times : 3times Each terminals except common terminal. (Connect to test terminal) Reference specification : EIA/JESD22-A114	$df/f = < \pm 1.0\text{ppm}$ No visible damage.
		Model : Human Body Model(HBM) $V_s = \pm 1500\text{V}(C_1=100\text{pF}, R_2=1500\Omega)$ Number of times : 3times Each terminals except common terminal. (Connect to test terminal) Reference specification : EIA/JESD22-A115	$df/f = < \pm 1.0\text{ppm}$ No visible damage.

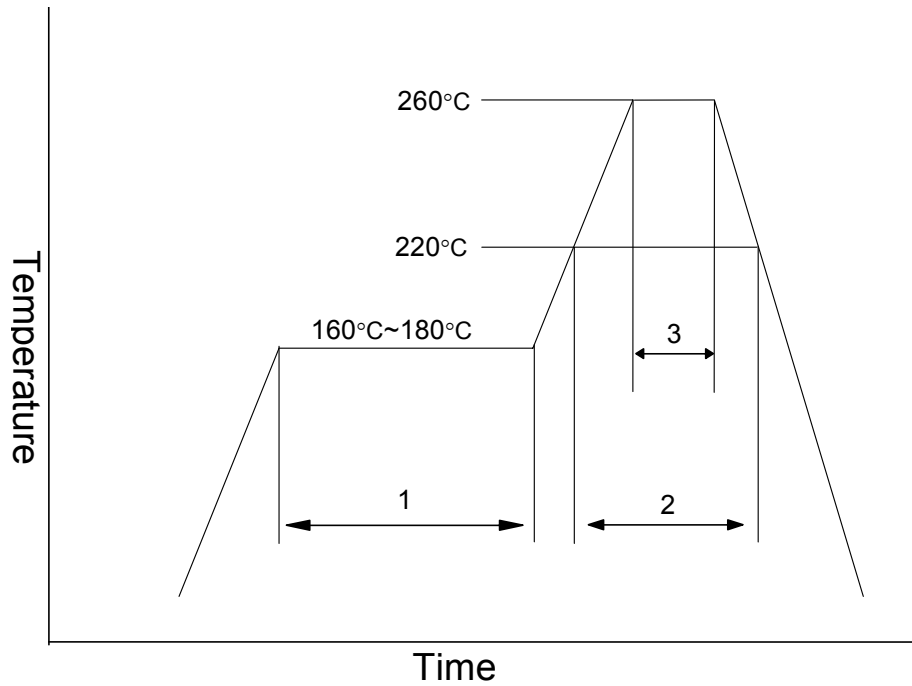
TITLE TCXO SPECIFICATION		Remark		
Date 2008/03/10	Spec. No. 1XTW16368CAB	Rev. -	Page 4/12	

12. Flatness of Terminal

When the component is placed on the flat surface, the gap from the connecting terminal shall not exceed 0.05 mm.



13. Reflow Profile



1	Preheat	160~180°C	120s
2	Primary Heat	220°C	60s
3	Peak	260°C	10s max.

TITLE
TCXO SPECIFICATION

Remark

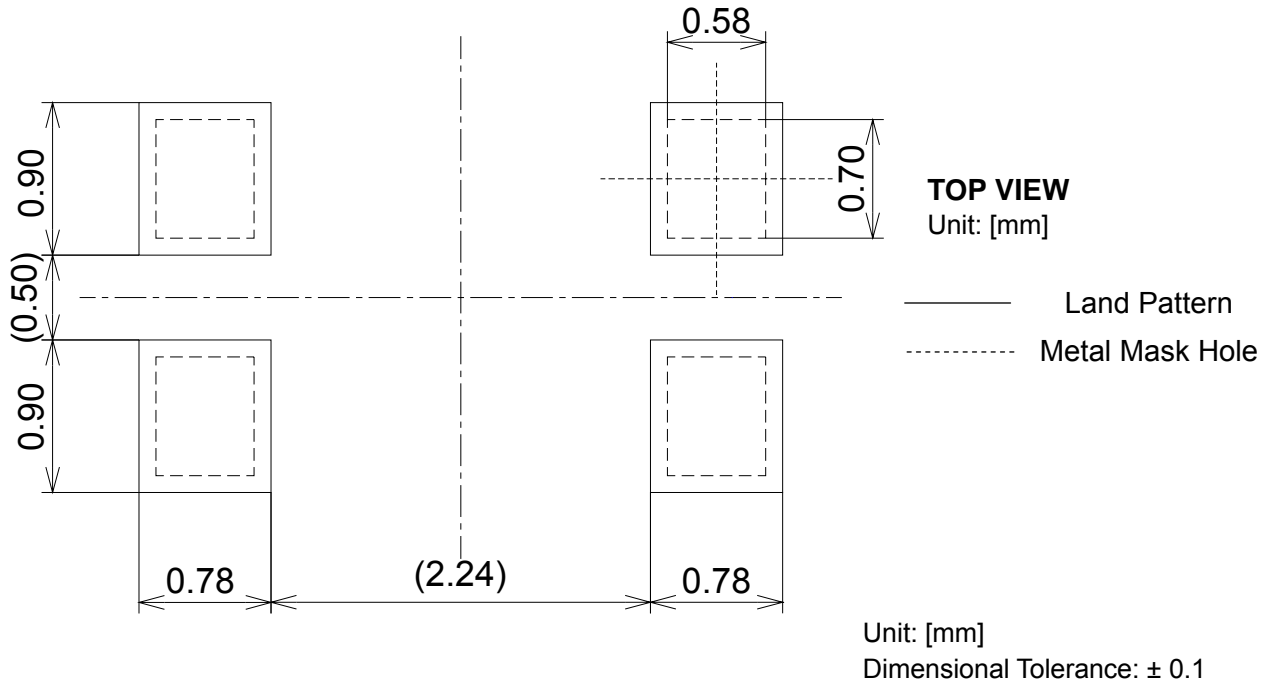
Date
2008/03/10

Spec. No.
1XTW16368CAB

Rev.
-

Page
5/12

14. Land Pattern Layout(Example)



TITLE TCXO SPECIFICATION		Remark	
Date 2008/03/10	Spec. No. 1XTW16368CAB	Rev. -	Page 6/12

15. Packing Specification

15-1. Reel Dimensions

Please see Fig.3

15-2. Embossed Carrier Format and Dimensions

Please see Fig.2

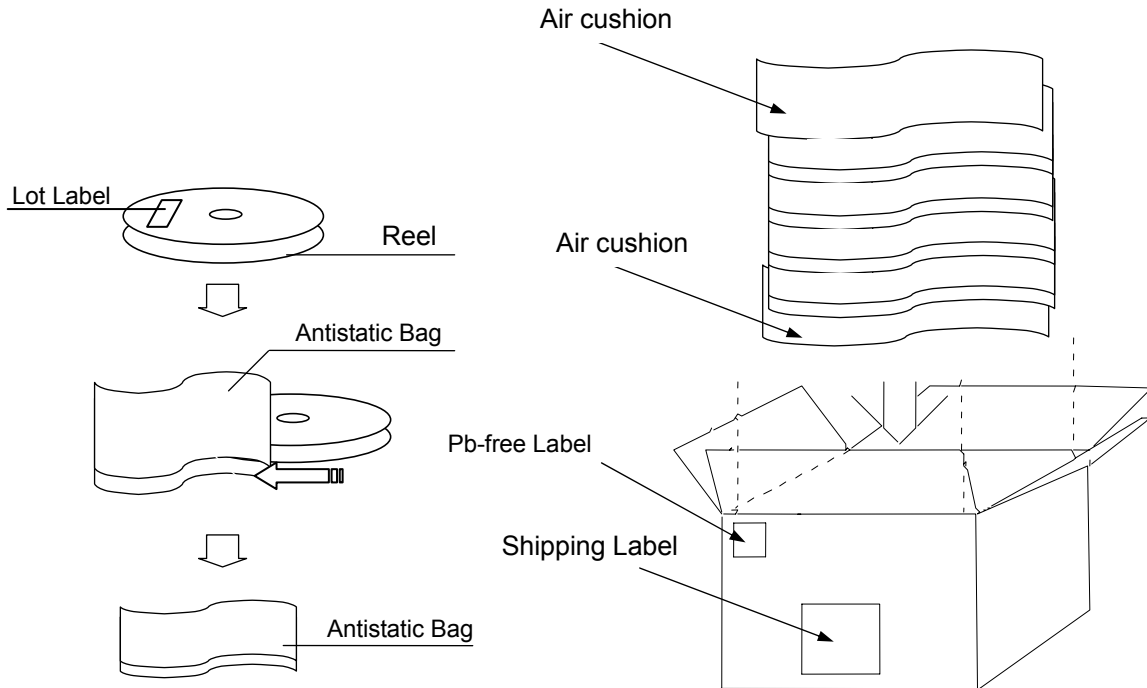
15-3. Taping specifications

Please see Fig.1

15-4. Quantity

2000pcs. max. per Reel.

15-5. Packaging Procedure



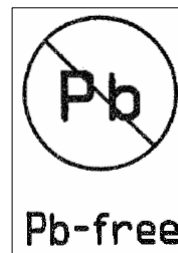
Lot label detail

TYPE (Model Name)
 SPEC No. (Spec. Number)
 Parts No. (User's Parts Number)
 Lot No. (Lot Number)
 FREQ. (Nominal Frequency)
 Q'TY (Quantity)
 KDS DAISHINKU CORP.

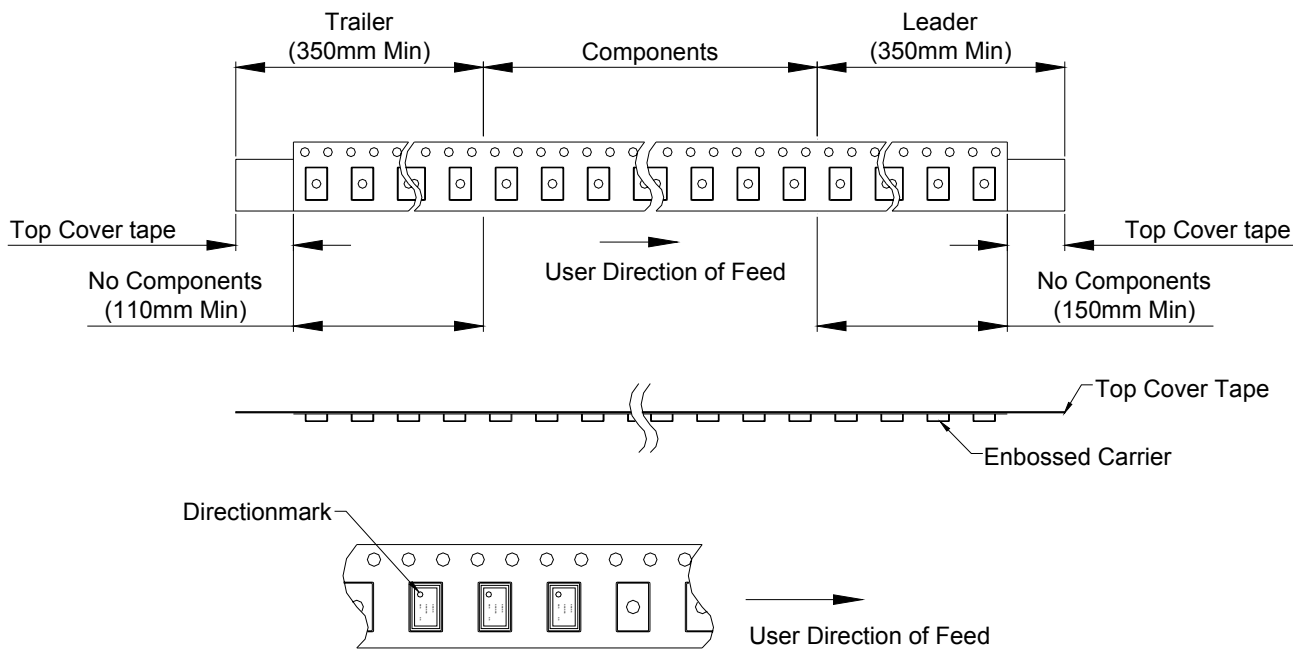
Shipping label detail

ITEM (Model Name)
 SPEC (Spec. Number)
 DELIVERY DATE (Delivery Date)
 Q'TY (Quantity)
 NOTES (User's Parts Number)
 DAISHINKU CORP.

Pb-free Label detail



TITLE TCXO SPECIFICATION		Remark	
Date 2008/03/10	Spec. No. 1XTW16368CAB	Rev. -	Page 7/12



Direction of taking up reel is clock-wise as above.

There are sprocket holes on the right hand side of the tape when it is pulled out as shown above.

Peel strength

Pulling angle 165 ~ 180 degree, pulling speed at 300mm/min, strength should be 0.2 ~ 0.7N.

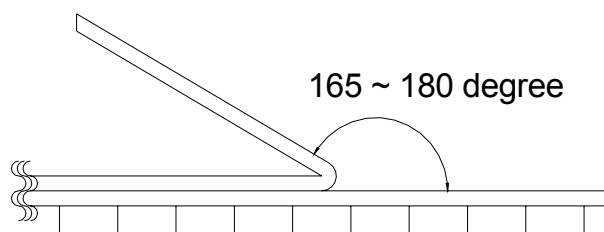


Fig.1 Taping Specification

TITLE TCXO SPECIFICATION		Remark	
Date 2008/03/10	Spec. No. 1XTW16368CAB	Rev. -	Page 8/12

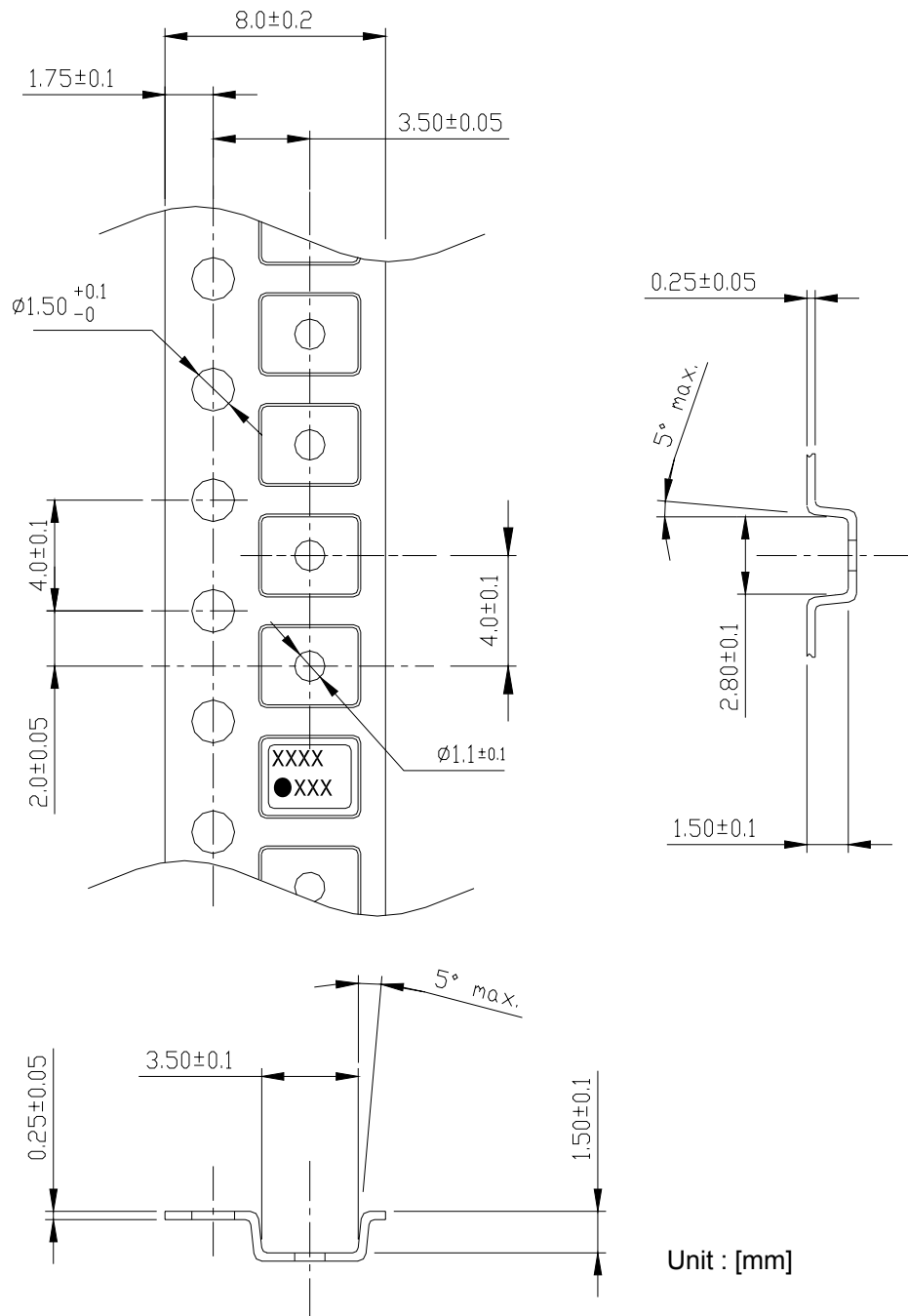
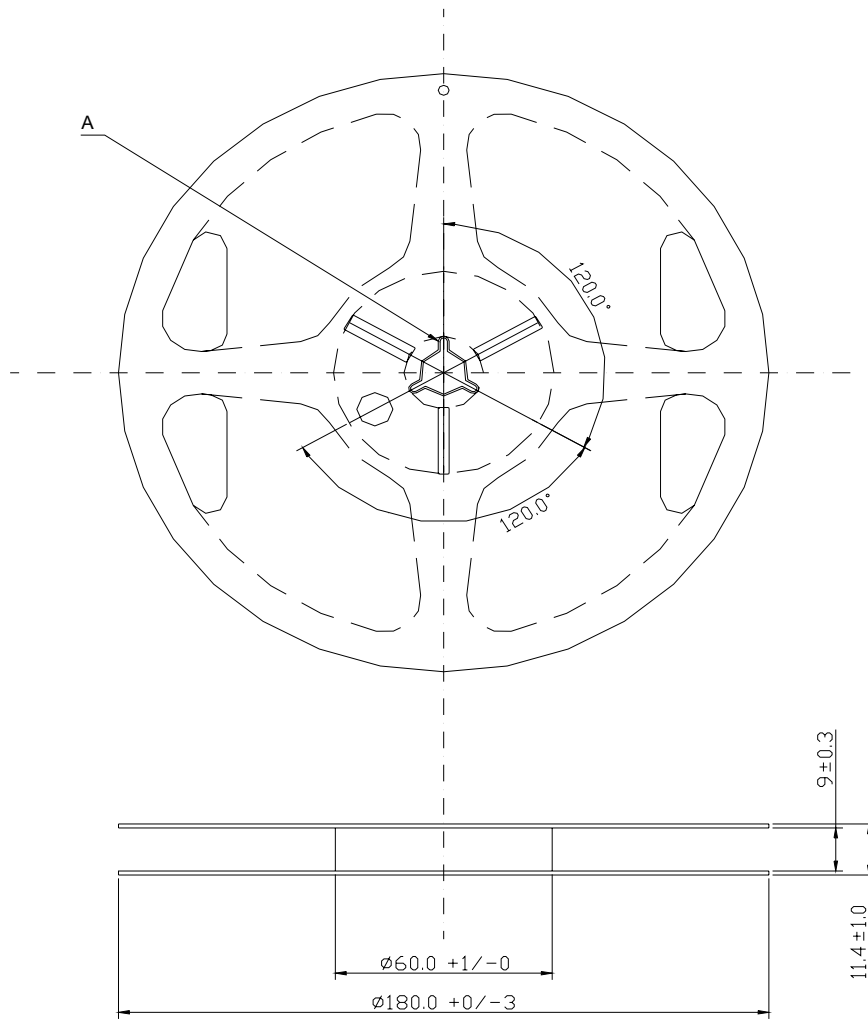


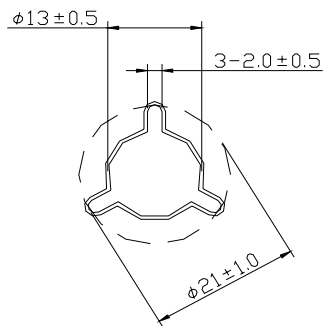
Fig.2 Embossed Carrier Format and Dimensions

TITLE TCXO SPECIFICATION		Remark	
Date 2008/03/10	Spec. No. 1XTW16368CAB	Rev. -	Page 9/12



Unit:mm

Section A



Material : Polystyrene (Conductivity)

Fig 3. Reel Dimensions

TITLE TCXO SPECIFICATION		Remark		
Date 2008/03/10	Spec. No. 1XTW16368CAB	Rev. -	Page 10/12	

16. Notes on mounting and handling

16-1. Storage environment

- (1) The temperature and humidity of a storage place, Please give +5 ~ +40°C and 40 ~ 85% as a standard.
- (2) Please use this product within one year from the packing label date of issue.
- (3) Please avoid the place which generates corrosive gas, and the place with much dirt.
- (4) Please keep it in a place with little temperature change.

Dew condensation arises owing to a rapid temperature change and solderability becomes bad.

16-2. Be cautions to static electricity and high voltage.

16-3. This product has sufficient durability to fall and vibration. However, conditions may change to the fall after mounting to a PWB, and vibration. When you should drop on a floor the PWB which mounted the product or too much shock is added. Please use after a performance check.

16-4. Please check that the curvature of the substrate at the time of substrate cutting does not affect a product.

Moreover, especially when a product is near the position of a PWB guide pin, and the position of a PWB break, be careful.

16-5. The part concerned does not correspond to washing.

16-6. Please repair at 260°C in 10s with hot air or 350°C in 5s with solder Iron.

17. The country of origin / factory name / address

Country of origin : Japan

Factory name : DAISHINKU Corp. Tottori Production Div.

Address : 7-3-21 Wakabadai-minami, Tottori-shi, Tottori-ken

TITLE TCXO SPECIFICATION		Remark		
Date 2008/03/10	Spec. No. 1XTW16368CAB	Rev. -	Page 11/12	

